



**@challenger**

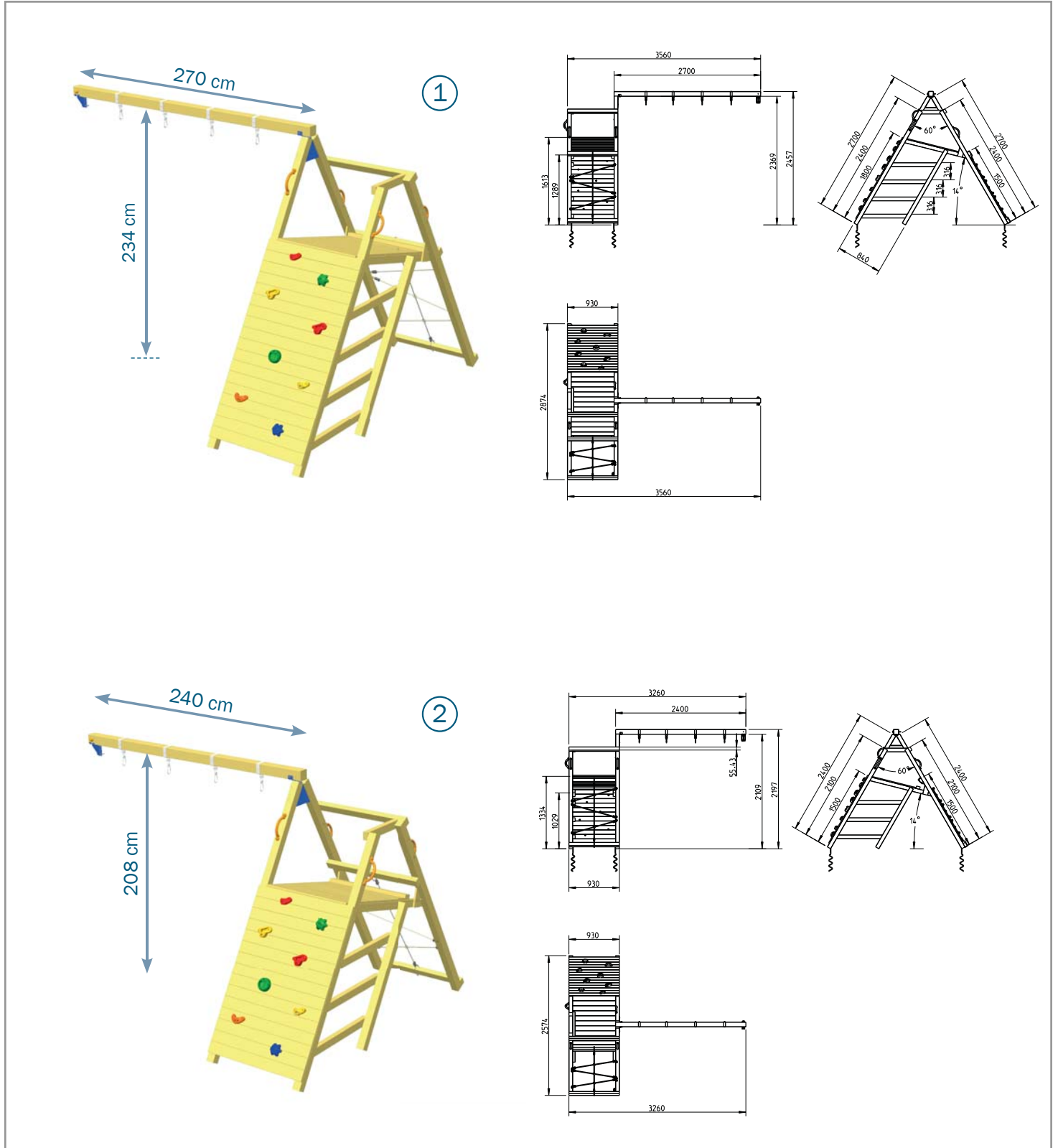
008.003.007.001



**blue rabbit**

© 2016

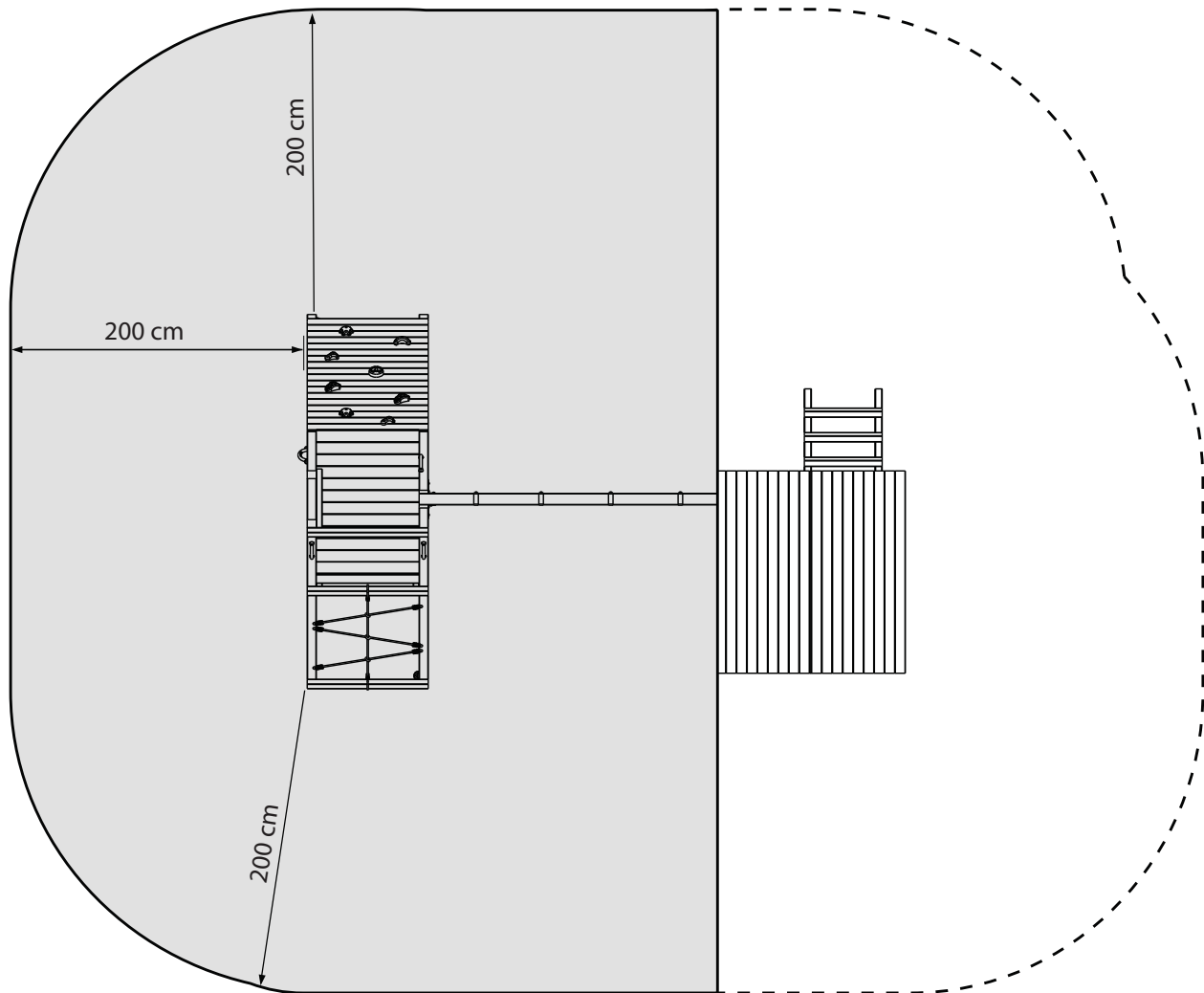
Blue Rabbit 2.0 - Hemelrijken 8 - B-2890 St-Amands - Belgium.  
Copyrighted material - Do not reproduce under penalty of law.







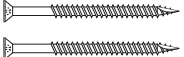
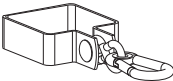

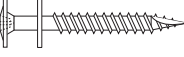


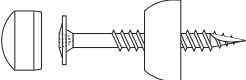
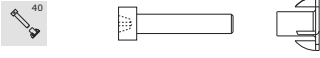

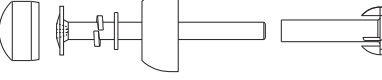



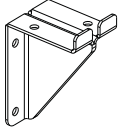


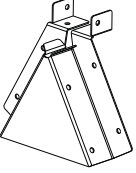
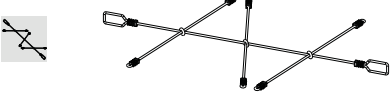

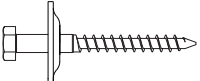
**@challenger**

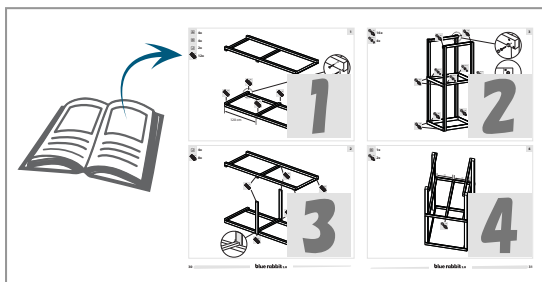
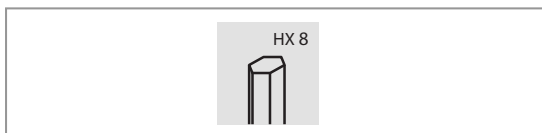
008.003.007.001


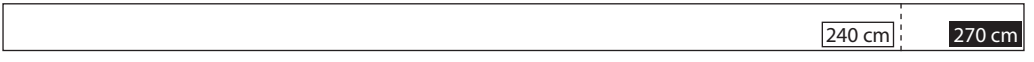



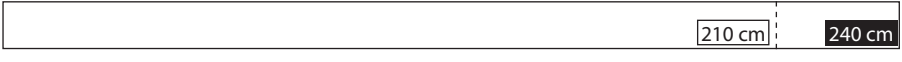









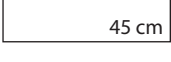

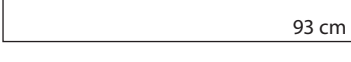

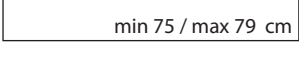

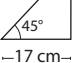
**blue rabbit 2.0**

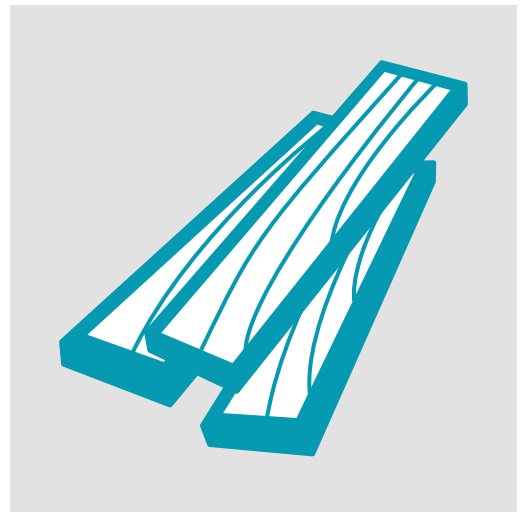
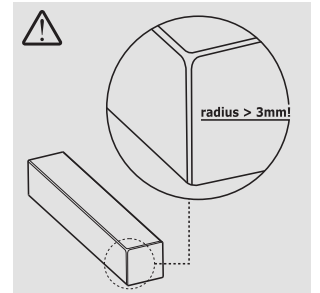
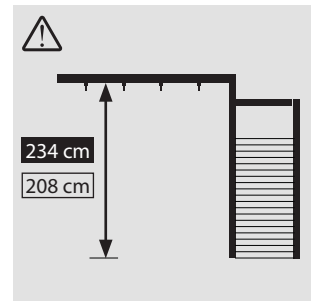


53 x 28 x 15,5 cm	11,6 kg	42	120 x 80 x 148 cm	512 kg

  <p>45 mm</p>	<p>4x</p> 
  <p>45 mm - 80 mm</p>	<p>4x</p> 
  <p>50 mm</p>	<p>2x</p> 
  <p>50 - 80 - 140 mm</p>	<p>8x</p> 
<p>4x</p>   <p>90 / 110 mm</p>	<p>8x</p>  
<p>1x</p>  	<p>8x</p> 
<p>1x</p>  	<p>1x</p> 
<p>2x</p>   <p>70 mm</p>	



- 1x** **A** min 88 mm |  |   
 max 90 mm | min 88 mm | max 90 mm
- 2x** **B** min 68 mm |  |   
 max 90 mm | min 68 mm | max 90 mm
- 2x** **C** min 68 mm |  |   
 max 90 mm | min 68 mm | max 90 mm
- 1x** **D** min 68 mm |  |   
 max 90 mm | min 68 mm | max 90 mm
- 2x** **E** min 68 mm |  |   
 max 90 mm | min 32 mm | max 50 mm
- 6x 7x** **F** min 68 mm |  |   
 max 90 mm | min 32 mm | max 50 mm
- 1x** **G** min 68 mm |  |   
 max 90 mm | min 32 mm | max 50 mm
- 1x** **H** min 68 mm |  |   
 max 90 mm | min 32 mm | max 50 mm
- 10x\*/15x\*\***  
**12x\*/18x\*\*** **I** \*\* min 95 mm |  |   
 \* max 145 mm | min 15 mm | max 22 mm
- 7x\*/10x\*\***  
**8x\*/12x\*\*** **J** \*\* min 95 mm |  |   
 \* max 145 mm | min 15 mm | max 22 mm
- 2x** **K** min 95 mm |  |   
 max 145 mm | min 15 mm | max 22 mm





---

Blue Rabbit 2.0®  
Hemelrijken 8  
B-2890 Sint-Amands  
BELGIUM

[info@bluerabbit.be](mailto:info@bluerabbit.be)

[www.bluerabbit.be](http://www.bluerabbit.be)